



I. Prepare opening to accept door

1. Mark on both the exterior and interior wall the required clear opening. These sizes are shown in Figure 1. For opening position limitations, see Figure 1. Cutting closer to the joint than allowed will remove the Speed-Loks and will make the panel joint unsecured.
2. Cut through inside metal and then through outside metal.
3. Cut through foam insulation and steel straps within panel. Ensure cutting tool is rated to cut steel strap.
4. Cut out the foam insulation 15/8" deep from the edge for the metal as shown in Figure 3. The steel straps must also be cut back 15/8".
5. Remove the wood rails from the door panel which were used for protection during shipment. These rails will be used for the wood frame in the opening. See Figures 2 & 3.
6. Position top end of the bottom wood rail so that it is level and the required opening is held in height. Secure to metal with (017383) 3/4" screw nails. If wood rail is wider than the wall thickness, do not force into position. Cut down the width of the rail accordingly. Forcing a wood rail that doesn't fit will cause metal skin to pull away from the foam.
7. Position the side rails, keeping them plumb and holding the required opening in width. Secure with (017383) 3/4" screw nails.
8. Place a bead of (016792) silicone caulking around the exterior perimeter of the door opening.

II. Installing door section

1. Before installing door panel, place a bead of (016792) silicone caulking along inside of frame to seal between door panel and opening. See Figure 4.
2. Position door frame in opening. Make sure both jambs are plumb and drill 3/16" holes using door frame holes as a guide. Drill thru panel metal only.
3. Drill 9/64" holes 2" deep into wood.
4. Secure door panel with (016406) #10 1 1/2" screw and (016540) flush washer. See Figure 4.
5. If needed, use 1/8" foam filler to take up any space between door panel and opening.
6. Caulk the interior between door panel and opening using (016792) silicone. See Figures 5 & 6.
7. Install trim to cover seam between inside of door panel and opening using (016415) #6-3/4" screw and (016538) washer. See Figure 5.
8. Make electrical connections as explained in our standard Walk-In Installation Manual, IM-268-11.

Figure 1

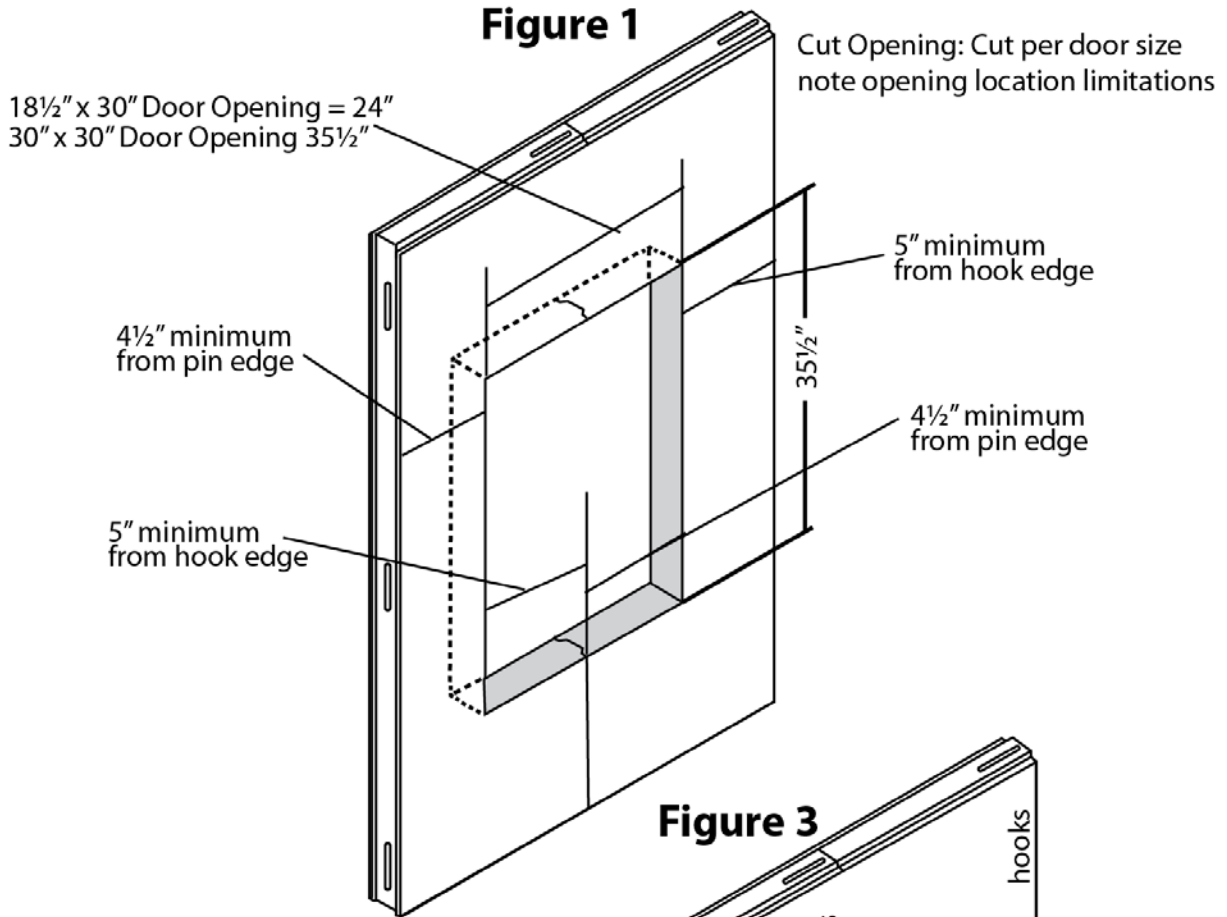


Figure 3

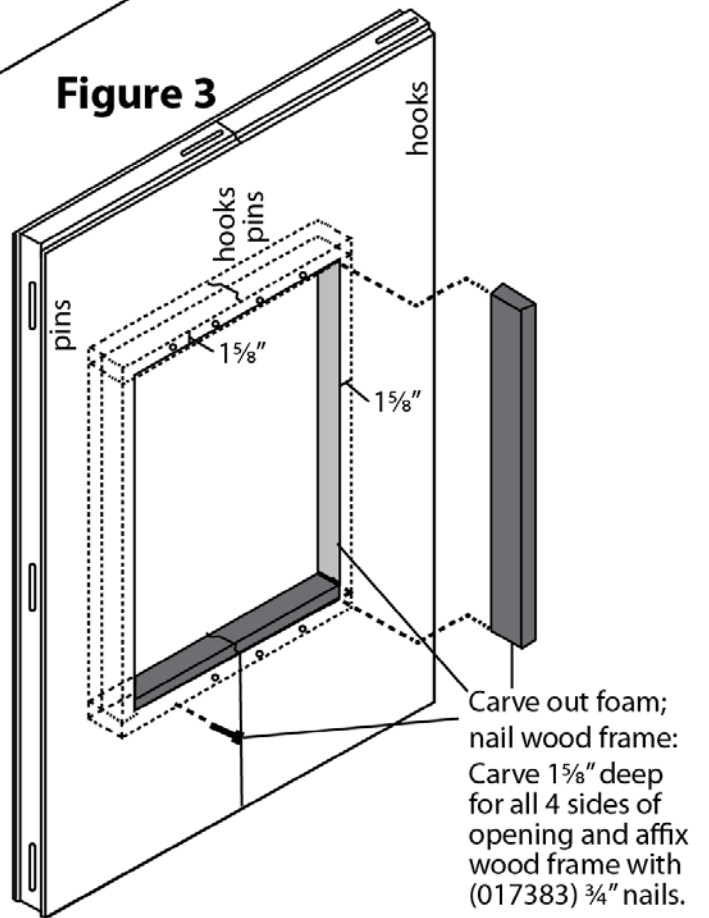
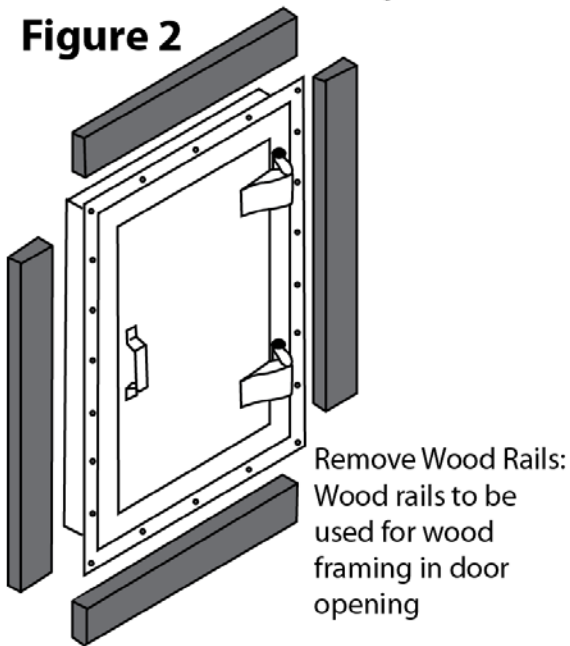


Figure 2



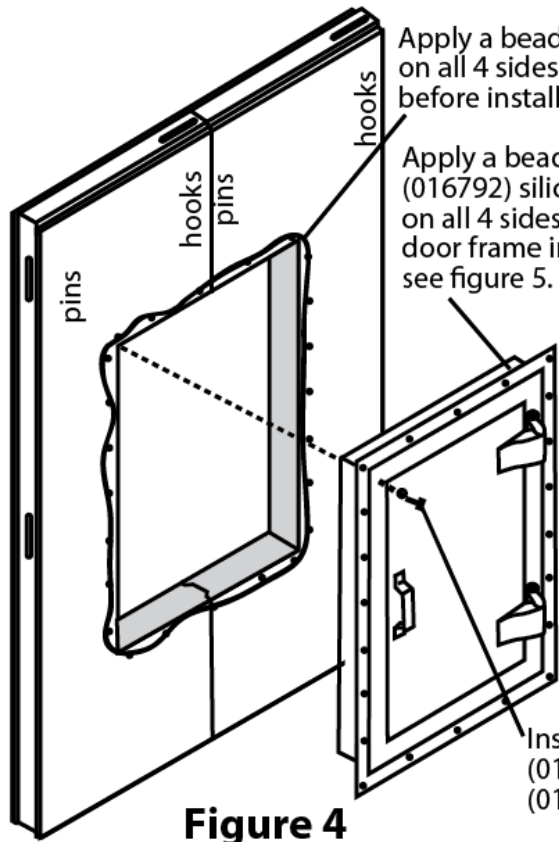


Figure 4
 View looking at exterior

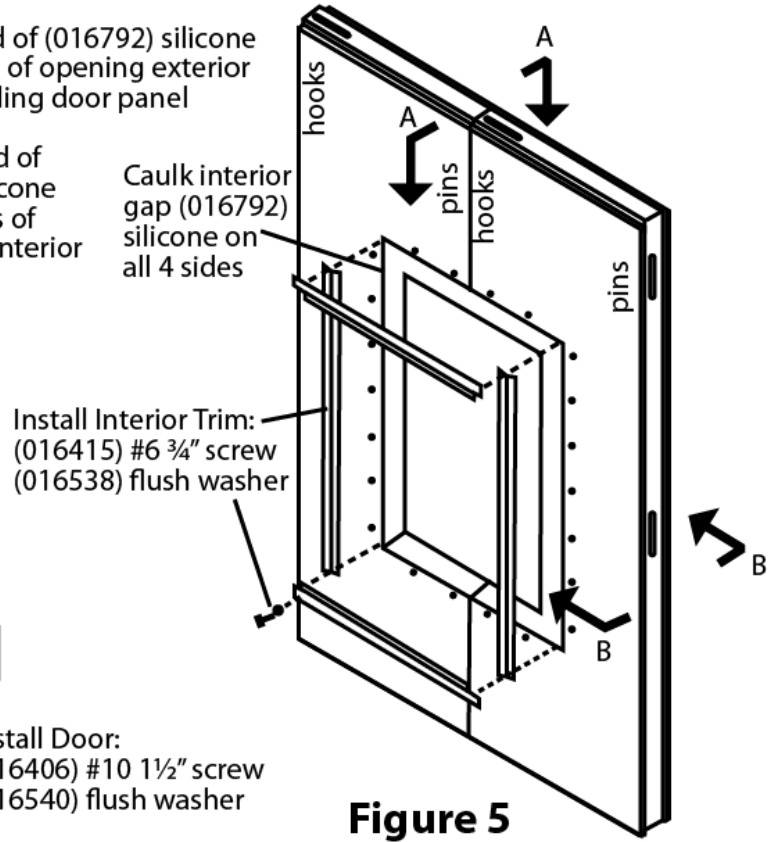
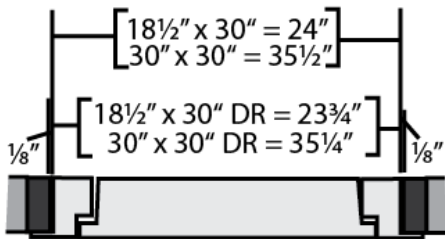
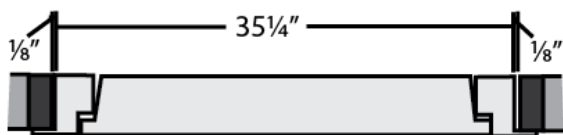


Figure 5
 View looking at interior



Section A-A



Section B-B

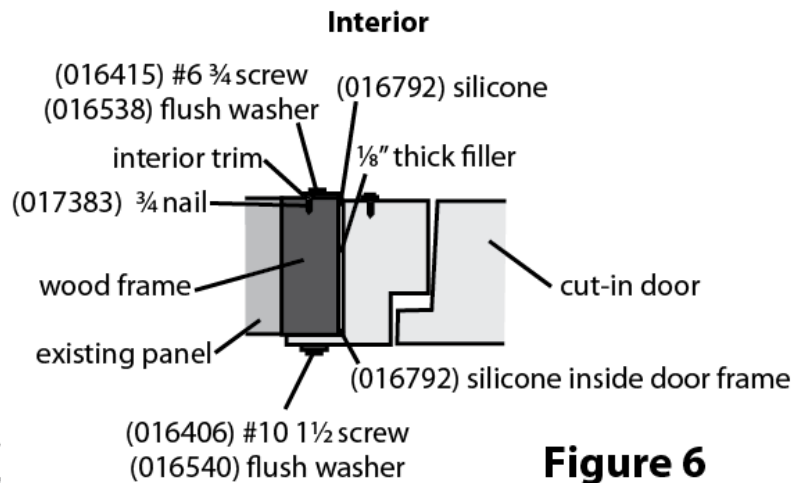


Figure 6

Section View represents top, bottom, and sides of opening